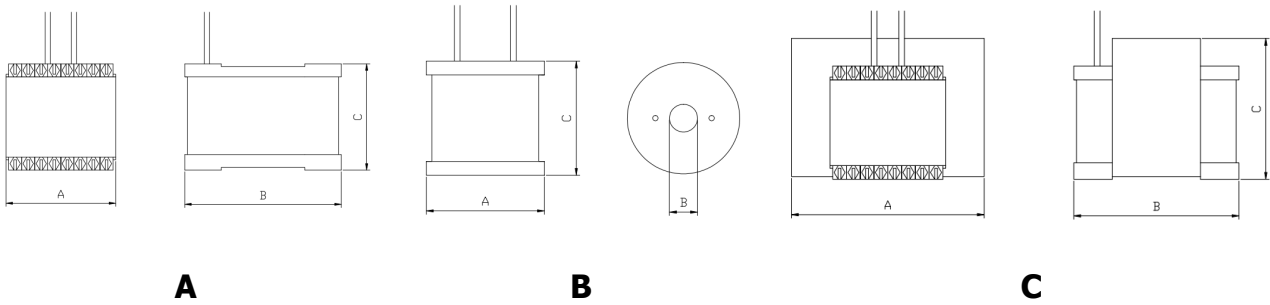


CROSSOVER INDUCTORS



Reference regulations: EN 60065 (CEI 92-1)

Protection index: IP00

Ambient temperature: 35°C

Thermal insulation class: B (130°C)

Realization: winding on bobbin

MODEL	L (H)	R (Ω)	VERSION	DIMENSIONS (mm)			WEIGHT (kg)
				A	B	C	
IN-0.85-0.55	0,85	0,55	A	42	50	42	220
IN-1.00-0.40	1,00	0,40	A	54	65	51	370
IN-0.15-0.26	0,15	0,26	A	26	30	29	60
IN-0.20-0.25	0,20	0,25	A	26	30	29	60
IN-0.20-0.20	0,20	0,20	A	39	43	39	150
IN-0.30-0.30	0,30	0,30	A	39	43	39	200
IN-0.50-0.30	0,50	0,30	A	42	50	42	220
IN-1.40-0.54	1,40	0,54	A	54	65	51	370
IN-1.00-0.65	1,00	0,65	A	42	50	42	220
IN-3.50-2.60	3,50	2,60	A	39	43	39	150
IN-6.78-1.80	6,78	1,80	A	39	43	39	150
IN-0.43-0.34	0,43	0,34	A	39	43	39	150
IN-0.63-0.47	0,63	0,47	A	39	43	39	150
IN-0.42-0.70	0,42	0,70	A	26	30	29	40
IN-0.56-0.82	0,56	0,82	A	26	30	29	40
IN-0.65-1.05	0,65	1,05	A	26	30	29	40
IN-1.00-0.63	1,00	0,63	A	48	55	47	250
IN-1.60-0.83	1,60	0,83	A	48	55	47	250
IN-2.00-0.95	2,00	0,95	A	48	55	47	250
IN-3.50-1.75	3,50	1,75	A	48	55	47	250
R14-0.10-0.15	0,10	0,15	B	32	14	24	60
R14-0.16-0.18	0,16	0,18	B	32	14	24	60
R14-0.42-0.70	0,42	0,70	B	32	14	24	60
R14-0.56-0.82	0,56	0,82	B	32	14	24	60
CR5-0.42-0.38	0,42	0,38	B	40	16,5	19	100
CR5-0.56-0.47	0,56	0,47	B	40	16,5	19	100
CR5-1.00-0.71	1,00	0,71	B	40	16,5	19	100
CM32-0.33-0.48	0,33	0,48	B	50	27	17	100
CM32-0.56-0.48	0,56	0,48	B	50	27	17	100
CM32-0.56-0.82	0,56	0,82	B	50	27	17	100
CM32-1.00-0.80	1,00	0,80	B	50	27	17	100
CM28-0.90-0.53	0,90	0,53	B	57	30	22	200
CM28-1.00-0.58	1,00	0,58	B	57	30	22	200
CM28-1.35-0.60	1,35	0,60	B	57	30	22	200

CM28-2.00-1.10	2,00	1,10	B	57	30	22	200
CM28-2.60-1.13	2,60	1,13	B	57	30	22	200
CM28-2.80-1.30	2,80	1,30	B	57	30	22	200
IND-5.00-0.40	5,00	0,40	C	68	58	51	760
IND-9.00-0.26	9,00	0,26	C	96	80	70	2400
IND-1.40-0.15	1,40	0,15	C	60	43	44	420
IND-2.00-0.22	2,00	0,22	C	60	43	44	420
IND-2.00-0.25	2,00	0,25	C	60	43	44	420
IND-2.50-0.25	2,50	0,25	C	68	53	32	630
IND-2.50-0.17	2,50	0,17	C	84	65	61	1350
IND-1.90-0.25	1,90	0,25	C	60	43	44	420
IND-2.40-0.50	2,40	0,50	C	60	43	44	420
IND-2.80-0.60	2,80	0,60	C	60	43	44	420
IND-3.50-0.75	3,50	0,75	C	40	30	32	130
IND-2.40-0.56	2,40	0,56	C	40	30	32	130
IND-2.70-0.30	2,70	0,30	C	68	53	51	630
IND-5.00-0.68	5,00	0,68	C	68	53	51	630
IND-6.30-0.79	6,30	0,79	C	68	53	51	630
IND-8.00-0.90	8,00	0,90	C	68	53	51	630

Crossover inductors are made according to the European standards EN 60065 CEI 92-1.

Our products are entirely realised in Italy with first choice raw materials strictly selected in order to guarantee the best quality and safety.

Our Technical Department is qualified and prepared to satisfy all kind of demands including tailor made requests.